

TX Series Transfer Switch

Remote Annunciator

Model G0070080 Remote Annunciator Panel



Description

The Remote Annunciator Panel provides remote monitoring and annunciation for a single TX Transfer switch with 11 LEDs. Works on all legacy TX Transfer Switches with the TXC-100 Control.*

This Remote Annunciator allows for ATS Transfer Test mode, and features a silence for existing alarm. Any new alarm will re-arm and the alarm horn will sound. Fault indication mirrors the TX fault indication and would indicate annunciator failure.

*When software is at version 1.23 or later.

Communications to the TX is RS485.

All models require battery power (+12 or +24 VDC) sourced from the generator battery or other source.

The Remote Annunciator Panel complies with NFPA 99 and NFPA 110.

Environmental Specifications

Operating Temperature	-25° C to 60° C
Humidity	0 to 95% Non-Condensing
Power Supply	+12 or +24 Volts DC
Power Usage	6 Watts Typical
RS485 Communications	Fully Isolated Twisted Pair Cable with Shield
RS485 Length	4,000 ft (1,219 m)
Fault Relay Contact Rating	30 VDC, 1 Amp
Enclosure Rating	NEMA 1
Alarm Horn	90 dB @ 10 cm

TX Series Transfer Switch

Remote Annunciator

FEATURES

INDICATORS

- Comms OK
- Alarm/Fault
- Not in Auto
- Source 1 Available
- Source 1 Connected
- Source 2 Available
- Source 2 Connected
- Time Delay Active
- Exercise Active
- Loadshed Active
- Test Mode (ATS Transfer Test)

KEYBOARD BUTTONS

- ATS Transfer Test
- Silence Horn
- LED Lamp Test

AUDIBLE HORN CONDITIONS

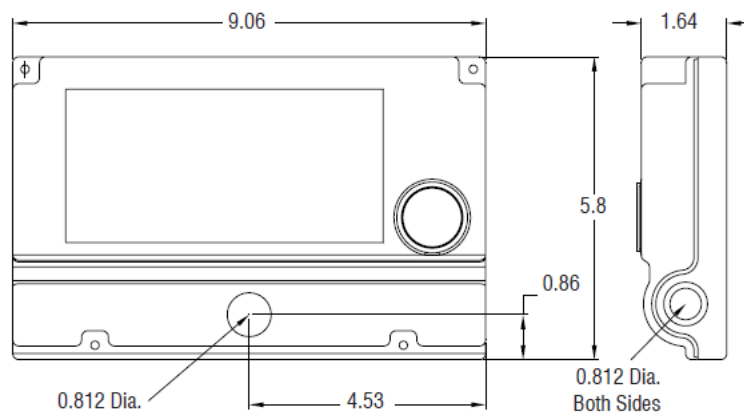
- Comms Failure
- Alarm/Fault
- Not in Auto
- Loadshed Active

3R Cover Kit: G0098860

MOUNTING OPTIONS

Surface Mount Annunciator

The TX Remote Annunciator can mount to a flat surface with connections through the 0.812 inch diameter knockout on the back surface or through 0.812 inch diameter knockouts on sides as shown.



Flush Mount Annunciator

This Flush Mount Box is recessed into the wall opening and the surface mount annunciator mounts to the (4) 4 mm screw holes on the back surface. After wire connections are made the front annunciator cover is attached.

