

# Power Series Transfer Switch

100 – 1,600 Amps

Contactor Type · Open and Delayed Transition

- Automatic Transfer Switch
- 100 – 1,600 A, Up to 600 VAC, 50/60 Hz
- 2, 3, or 4 Poles
- NEMA 1, 3R, or 4X
- Open with Inphase and Delayed Transition
- UL 1008 Listed
- CSA C22.2 No. 178 Certified

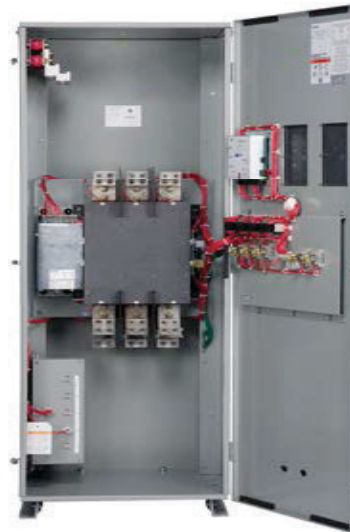


Image used for illustration purposes only

## Codes and Standards

Not all codes and standards apply to all configurations. Contact factory for details.



UL 1008 Listed



CSA C22.2 No. 178 Certified



NFPA 37, 70, 99, 110



NEC 700, 701, 702, 708



NEMA ICS10, MG1, 250, ICS6, AB1



ANSI C62.41



IEC 61000 EMC Testing and Measuring



IBC 2009, CBC 2010, IBC 2012, ASCE 7-05, ASCE 7-10, ICC-ES AC-156 (2012)

## Description

Generac's Contactor Type Transfer Switches are double-throw and interlocked with an over center design to ensure safe, positive transfer between power sources. The switches are 3-cycle rated to ease breaker selection and coordination. The mechanism is field proven and operated via a reliable, compact solenoid for high speed transfer of loads between power sources. The contacts are silver composite for long life, resisting pitting or burning. The switches are rated for full load transfers in critical operating, emergency, legally required, and optional power systems.

The microprocessor based controller is flexible with extensive programmable options. The standard product offers both open with inphase and delayed transition. The 2 line, 32 character LCD displays real time and historical information with time-stamped events. The integrated plant exerciser is configurable in off, daily, 7, 14, 28 day intervals with user configurable run time. With the standard features of pretransfer contacts, three phase sensing on utility and generator sources, phase unbalance, phase reversal, load shed/emergency inhibit and communications (Modbus® RTU).

# Power Series Transfer Switch

100 – 1,600 Amps

Contacting Type · Open and Delayed Transition

## STANDARD FEATURES

---

### GENERAL

- Double-Throw, Solenoid-Operated Transfer Mechanism
- LCD-Based Display for Programming, System Diagnostics and Help Menu Display
- Mimic Diagram with Source Available and Connected LED Indicator
- Time-Stamped History Log
- System TEST Pushbutton
- Programmable Plant Exerciser - OFF, Daily, 7, 14, 28 Day Interval Selectable Run Time 0-600 Minutes No Load/Load with Failsafe
- Methods of Transfer Include: Open with Inphase Transition Only, Time Delay in Neutral Transition, or Inphase with a Default to Time Delay in Neutral Transfer
- Mechanically Interlocked to Prevent Connection of Both Sources
- Field-Selectable Multi-Tap Transformer Panel Permits Operation on a Wide Range of System Voltages
- Modbus® RTU
- ATC-300+ Controller
- Operating Temperature -4 ° to 158 °F (-20 ° to 70 °C)

### VOLTAGE AND FREQUENCY SENSING

- Three Phase Under and Over Voltage Sensing on Normal and Emergency Sources
- Under and Over Frequency Sensing on Normal and Emergency
- Selectable Settings: Single or Three Phase Voltage Sensing on Normal, Emergency and Load 50 or 60 Hz
- Phase Sequence Sensing for Phase Sensitive Loads

### CONTACTS

- Source Available:
  - Source-1 Present, 2-N.O. and 2-N.C.
  - Source-2 Present, 2-N.O. and 2-N.C.
- Switch Position:
  - Source-1 Position, 1-N.O. and 1-N.C.
  - Source-2 Position, 1-N.O. and 1-N.C.
- Pre-Transfer Signal Contacts 1-N.O. and 1-N.C.

## CONFIGURABLE OPTIONS

---

### GENERAL

- ATC-900 Controller
- Digital Multi-Function Power Quality Metering
- Ethernet Connectivity
- Remote Annunciator Panel with Control
- Remote Multi-Switch Annunciator Panel with Control
- Maintenance Selector Switch
- General Alarm Indication
- Transient Voltage Surge Suppression (TVSS)
- Padlockable Cover for Controller
- Padlockable Cover for Device Panel
- Emergency Inhibit
- Selectable Retransfer
- Manual Generator Retransfer

### CAM-LOK™ QUICK CONNECT TERMINALS

- Male Receptacle, E1016 Series
- Color Coded to Industry Standard
- Hinged Thermoplastic Covers
- 100% Ground Ampacity

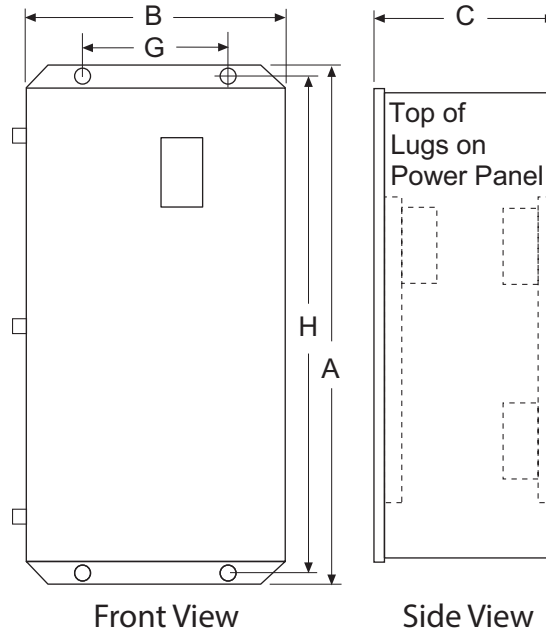
# Power Series Transfer Switch

100 – 1,600 Amps

Contactor Type · Open and Delayed Transition

## UNIT DIMENSIONS\*

### Automatic, Open Transition with Inphase up to 400A Wall Mount



### Contactor Type, Open and Delayed Transition, 100 – 600 A, Wall Mount

Voltage	Amperes	Transition	Enclosure Type (NEMA)	in (mm)			G (Horizontal)	H (Vertical)	Cu/Al		lbs (kg) Weight
				A (Height)	B (Width)	C (Depth)			Load Side, Normal and Standby Source	Neutral Connection	
480 and below	100	Open with Inphase	1, 3R	38.7 (983)	18.3 (465)	13.3 (334)	10.3 (260)	37.4 (950)	(1) #14-2/0	(3) #14-1/0	156 (71)
			4X	37.5 (953)	17.5 (445)	14.3 (364)	11.5 (292)	36.3 (921)	(1) #14-2/0	(3) #14-1/0	156 (71)
		Open with Inphase and Delayed	1, 3R	52.0 (1,321)	19.8 (503)	16.8 (426)	13.0 (330)	47.8 (1,215)	(1) #14-2/0	(3) #14-1/0	250 (113)
			4X	52.0 (1,321)	21.0 (533)	16.8 (426)	15.0 (381)	50.8 (1,289)	(1) #14-2/0	(3) #14-1/0	250 (113)
	150-200	Open with Inphase	1, 3R	38.7 (983)	18.3 (465)	13.3 (334)	10.3 (260)	37.4 (950)	(1) #6-250 MCM	(3) 1/0-250 MCM	160 (73)
			4X	37.5 (953)	17.5 (445)	14.3 (364)	11.5 (292)	36.3 (921)	(1) #6-250 MCM	(3) 1/0-250 MCM	164 (74)
		Open with Inphase and Delayed	1, 3R	52.0 (1,321)	19.8 (503)	16.8 (426)	13.0 (330)	47.8 (1,215)	(1) #6-250 MCM	(3) 1/0-250 MCM	250 (113)
			4X	52.0 (1,321)	21.0 (533)	16.8 (426)	15.0 (381)	50.8 (1,289)	(1) #6-250 MCM	(3) 1/0-250 MCM	260 (118)
	225-400	Open with Inphase	1, 3R	52.0 (1,321)	19.8 (503)	16.8 (426)	13.0 (330)	47.8 (1,215)	(2) 1/0-250 MCM or (1) 1/0-750 MCM	(6) 250-500 MCM	250 (113)
			4X	52.0 (1,321)	21.0 (533)	16.8 (426)	15.0 (381)	50.8 (1,289)	(2) 1/0-250 MCM or (1) 1/0-750 MCM	(6) 250-500 MCM	260 (118)
		Open with Inphase and Delayed	1, 3R	52.0 (1,321)	19.8 (503)	16.8 (426)	13.0 (330)	47.8 (1,215)	(2) 1/0-250 MCM or (1) 1/0-750 MCM	(6) 250-500 MCM	250 (113)
			4X	52.0 (1,321)	21.0 (533)	16.8 (426)	15.0 (381)	50.8 (1,289)	(2) 1/0-250 MCM or (1) 1/0-750 MCM	(6) 250-500 MCM	260 (118)
600	100	Open with Inphase	1, 3R	38.7 (983)	19.8 (503)	13.3 (339)	10.3 (260)	37.4 (950)	(1) #6-250 MCM	(3) #14-1/0	164 (74)
			4X	37.5 (953)	21.0 (533)	14.3 (364)	11.5 (292)	36.3 (921)	(1) #6-250 MCM	(3) #14-1/0	164 (74)
	150-200	Open with Inphase	1, 3R	52.0 (1,321)	19.8 (503)	16.8 (426)	13.0 (330)	47.8 (1,215)	(1) #6-250 MCM	(3) 1/0-250 MCM	260 (118)
			4X	52.0 (1,321)	21.0 (533)	16.8 (426)	15.0 (381)	50.8 (1,289)	(1) #6-250 MCM	(3) 1/0-250 MCM	260 (118)
		Open with Inphase and Delayed	1, 3R	52.0 (1,321)	19.8 (503)	16.8 (426)	13.0 (330)	47.8 (1,215)	(1) #6-250 MCM	(3) 1/0-250 MCM	260 (118)
			4X	52.0 (1,321)	21.0 (533)	16.8 (426)	15.0 (381)	50.8 (1,289)	(1) #6-250 MCM	(3) 1/0-250 MCM	260 (118)

\* All measurements are approximate and for estimation purposes only. Specification characteristics may change without notice. Contact a Generac Power Systems Industrial Dealer for detailed installation drawings. Contact factory for dimensions on Cam-Lok™ option switches.

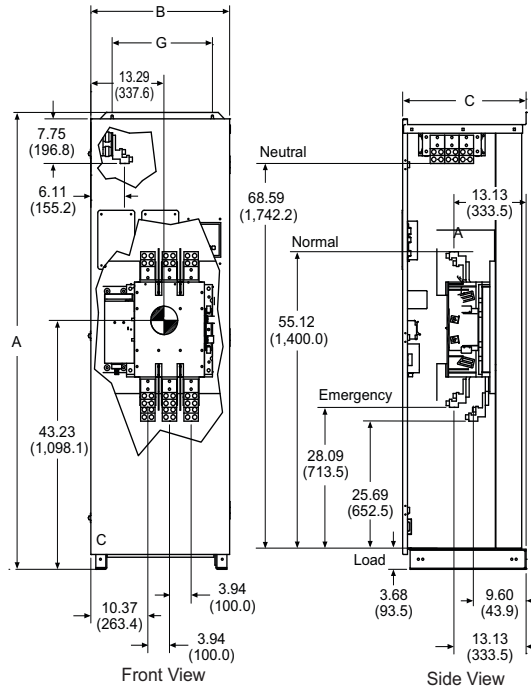
# Power Series Transfer Switch

100 – 1,600 Amps

Contactor Type · Open and Delayed Transition

## UNIT DIMENSIONS\*

Automatic, 600–1,200A Open and Delayed Transition, Floor Standing, Wall Secured



Contactor Type, Open and Delayed Transition, 600 – 1,200A, Floor Standing, Wall Secured

Voltage	Amperes	Transition	Enclosure Type (NEMA)	in (mm)			G (Horizontal)	H (Vertical)	Cu/Al		lbs (kg) Weight
				A (Height)	B (Width)	C (Depth)			Load Side, Normal and Standby Source	Neutral Connection	
480 and below	600-1,200	Open with Inphase and Delayed	1, 3R	79.4 (2,017)	25.3 (641) 3-pole 29.20 (741) 4-pole	22.5 (571)	N/A	N/A	(4) 1/0-750 MCM	(12) 1/0-750 MCM	600 (272) 3-pole 650 (295) 4-pole
			4X	84.8 (2,153)	29.0 (737) 3-pole	24.3 (616)	N/A	N/A	(4) 1/0-750 MCM	(12) 1/0-750 MCM	700 (318) 3-pole 750 (340) 4-pole
600	225-1,200	Open with Inphase and Delayed	1, 3R	79.4 (2,017)	29.2 (741)	22.5 (571)	N/A	N/A	(2) 1/0-250 MCM or (1) 1/0-750 MCM	(6) 250-500 MCM	600 (272) 3-pole 650 (295) 4-pole
			4X	84.8 (2,153)	29.0 (737) 3-pole	24.3 (616)	N/A	N/A	(2) 1/0-250 MCM or (1) 1/0-750 MCM	(6) 250-500 MCM	700 (318) 3-pole 750 (340) 4-pole

\* All measurements are approximate and for estimation purposes only. Specification characteristics may change without notice. Contact a Generac Power Systems Industrial Dealer for detailed installation drawings. Contact factory for dimensions on Cam-Lok™ option switches.

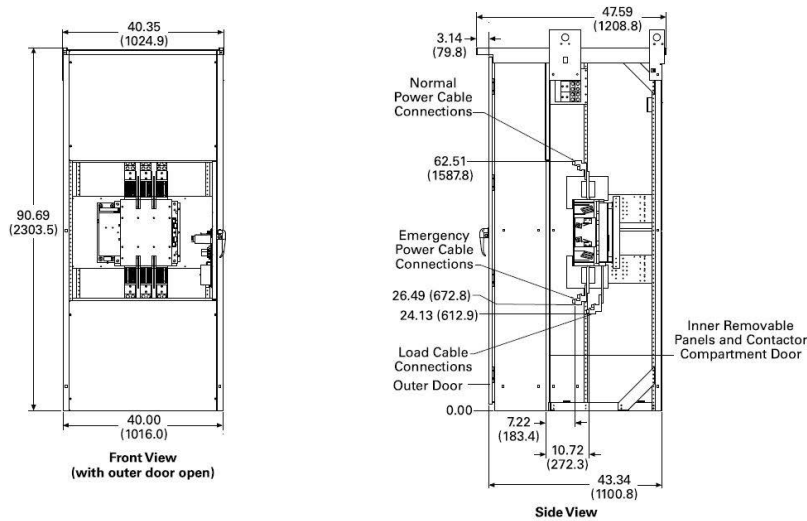
# Power Series Transfer Switch

100 – 1,600 Amps

Contactor Type · Open and Delayed Transition

## UNIT DIMENSIONS\*

Automatic, 1,600A, Open and Delayed Transition, Freestanding



Contactor Type, Open and Delayed Transition, 1,600A, Freestanding

Voltage	Amperes	Transition	Enclosure Type (NEMA)	in (mm)			G (Horizontal)	H (Vertical)	Cu/Al		lbs (kg) Weight
				A (Height)	B (Width)	C (Depth)			Load Side, Normal and Standby Source	Neutral Connection	
480 and below	1,600	Open with Inphase and Delayed	1	90.0 (2,286)	40.0 (1,016)	29.0 (737)	N/A	N/A	(4) 1/0-750 MCM	(12) 1/0-750 MCM	1090 (494) 3-pole 1150 (522) 4-pole
			3R	90.7 (2,304)	40.4 (1,025)	47.6 (1,209)	N/A	N/A	(4) 1/0-750 MCM	(12) 1/0-750 MCM	1200 (544) 3-pole 1260 (571) 4-pole

\* All measurements are approximate and for estimation purposes only. Specification characteristics may change without notice. Contact a Generac Power Systems Industrial Dealer for detailed installation drawings. Contact factory for dimensions on Cam-Lok™ option switches.

# Power Series Transfer Switch

100 – 1,600 Amps

Contact Type · Open and Delayed Transition

## SPECIFICATIONS

### UL 1008 Withstand and Closing Ratings

Ampere Rating	Transition	Any Breaker (0.05 sec)		Specific Breaker <sup>1</sup>		Specific Fuse					
		480 V and Below Max (kA)	600 V Max (kA)	480 V and Below Max (kA)	600 V Max (kA)	480 V and Below Max (kA)	Fuse Class	Max Fuse	600 V Max (kA)	Fuse Class	Max Fuse
100	Open with Inphase Only	10	10	30	22	100	K5, RK5	200	100	K5, RK5	200
							K1, RK1	400		K1, RK1	400
							J, T	450		J, T	450
	Open with Inphase and Delayed	30	22	50	35	200	RK1, RK5, J, C, K1, K5	600	200	RK1, RK5, J, C, K1, K5	600
							L	800		L	800
							T	1,200		T	1,200
150-200	Open with Inphase Only	10	22	30	35	100	K5, RK5	400	200	RK1, RK5, J, C, K1, K5	600
							J, K1, RK1	600		L	800
							T	800		T	1,200
	Open with Inphase and Delayed	30	22	50	35	200	RK1, RK5, J, C, K1, K5	600	200	RK1, RK5, J, C, K1, K5	600
							L	800		L	800
							T	1,200		T	1,200
225-400	Open with Inphase Only	30	–	50	–	200	RK1, RK5, J, C, K1, K5	600	200	J, T, L, RK5	600
							L	800		L	1,600
							T	1,200			
	Open with Inphase and Delayed	30	50	50	65	200	RK1, RK5, J, C, K1, K5	600	200	J, T, L, RK5	600
							L	800		L	1,600
							T	1,200			
600-1,200	Open with Inphase and Delayed	50	50	65	65	200	J, T, L, RK5	600	200	J, T, L, RK5	600
							L	1,600		L	1,600
1,600	Open with Inphase and Delayed	50	–	65	–	200	J, T, L, RK5	600	–	–	–
							L	2,000		–	–

<sup>1</sup> See specific breaker list available on GenConnect