

GENERAC®

7.5 kW

7.5 kW

PowerPact® Residential Standby Generator Air-Cooled Gas Engine

1 of 5

INCLUDES:

- True Power™ Electrical Technology
- Digital LED controller
- Automatic transfer switch with built-in priority load center
- Rugged galvanized steel rust resistant sound attenuated enclosure
- External main circuit breaker and control panel access
- UL 2200 listed
- Rated for winds up to 180 mph (289.7 km/h)
- Flexible fuel line connector
- Natural gas or LP gas operation
- 3 Year limited warranty
- Listed and labeled for installation as close as 18 in (457 mm) to a structure.*

**Must be located away from doors, windows, and fresh air intakes and in accordance with local codes.*

Standby Power Rating
G006998-1 (Steel - Bisque) – 7.5 kW 60 Hz



OR



FEATURES

- **INNOVATIVE DESIGN & PROTOTYPE TESTING** are key components of GENERAC'S success in "IMPROVING POWER BY DESIGN." But it doesn't stop there. Total commitment to component testing, reliability testing, environmental testing, destruction and life testing, plus testing to applicable CSA, NEMA, EGSA, and other standards, allows you to choose GENERAC POWER SYSTEMS with the confidence that these systems will provide superior performance.
- **TEST CRITERIA:**
 - ✓ **PROTOTYPE TESTED**
 - ✓ **SYSTEM TORSIONAL TESTED**
 - ✓ **NEMA MG1-22 EVALUATION**
 - ✓ **MOTOR STARTING ABILITY**
- **POWERPACT®:** Offers an extreme value for those who desire automatic backup power at the most affordable price.
- **TRUE POWER™ ELECTRICAL TECHNOLOGY:** Superior harmonics and sine wave form produce less than 5% Total Harmonic Distortion for utility quality power. This allows confident operation of sensitive electronic equipment and micro-chip based appliances, such as variable speed HVAC systems.
- **SINGLE SOURCE SERVICE RESPONSE** from Generac's extensive dealer network provides parts and service know-how for the entire unit, from the engine to the smallest electronic component.
- **GENERAC TRANSFER SWITCHES:** Long life and reliability are synonymous with GENERAC POWER SYSTEMS. One reason for this confidence is that the GENERAC product line is offered with its own transfer systems and controls for total system compatibility.

GENERAC®

PowerPact® System - 7.5 kW

Features and Benefits

Engine

- Generac (OHV) design Maximizes engine "breathing" for increased fuel efficiency. Plateau honed cylinder walls and plasma moly rings help the engine run cooler, reducing oil consumption and resulting in longer engine life.
- Cast iron cylinder walls Rigid construction and added durability provide long engine life.
- Low oil pressure shutdown system Shutdown protection prevents catastrophic engine damage due to low oil.
- High temperature shutdown Prevents damage due to overheating.

Generator

- Revolving field Allows for a smaller, light weight unit that operates 25% more efficiently than a revolving armature generator.
- Skewed stator Produces a smooth output waveform for compatibility with electronic equipment.
- Displaced phase excitation Maximizes motor starting capability.
- Automatic voltage regulation Regulating output voltage to $\pm 5\%$ prevents damaging voltage spikes.
- UL 2200 listed For your safety.

Transfer Switch

- Fully automatic Transfers vital electrical loads to the energized source of power.
- Remote mounting Mounts near existing distribution panel for simple, low cost installation.
- Flush mountable Can be installed between studs like a standard electrical panel.
- UL 1008 listed For your safety.

Digital Controls

- Multiple LED annunciation Provides specific system information without having to open the generator enclosure.
- AUTO/OFF/MANUAL buttons Select the operating mode.
- Utility voltage sensing Constantly monitors utility voltage, setpoints 65% dropout, 80% pick-up, of standard voltage.
- Utility interrupt delay Prevents nuisance start-ups of the engine, setpoint approximately 5 seconds.
- Engine warm-up Ensures engine is ready to assume the load, setpoint approximately 6 seconds.
- Engine cool-down Allows engine to cool prior to shutdown, setpoint approximately 1 minute.
- Cold Smart Start If the ambient temperature is cold, allows the engine to warm up before load is applied.
- Seven day exerciser Operates engine to prevent oil seal drying and damage between power outages.
- Smart battery charger Maintains battery charge level to ensure starting.
- Main line circuit breaker Protects generator from overload.
- Multiple protection features Prevents additional damage from occurring within the generator if a fault condition arises.

Unit

- UL weather protective enclosure Sound attenuated enclosure ensures quiet operation and protection against mother nature. Three panels are removable for easy service and maintenance access.
- Enclosed critical grade muffler Quiet, critical grade muffler is mounted inside the unit to prevent injuries.
- Small, compact, attractive Makes for an easy, eye appealing installation, as close as 18 in (457 mm) away from a structure.

Installation System

- 14 in (35.6 cm) flexible fuel line connector Listed ANSI Z21.75/CSA 6.27 outdoor appliance connector for the required connection to the gas supply piping.

PowerPact® System - 7.5 kW

Specifications

Generator

Model	G006998-1
Rated maximum continuous power capacity (LP)	7,500 Watts*
Rated maximum continuous power capacity (NG)	6,000 Watts*
Rated voltage	240
Rated maximum continuous load current – 240 volts (LP / NG)	31.25 / 25
Main line circuit breaker	35 amp
Phase	1
Number of rotor poles	2
Rated AC frequency	60Hz
Power Factor	1.0
Battery requirement (not included)	Group U1, 12 volts and 300 CCA minimum
Unit weight (lb / kg)	280 / 127.3
Dimensions (L x W x H) in / cm	36 x 27 x 25 / 91.5 x 67.6 x 64.0
Sound output in dB(A) at 23 ft (7 m) with generator operating at normal load**	69

Engine

Engine type	GENERAC OHV
Number of cylinders	1
Displacement	420 cc
Cylinder block	Aluminum w/ cast iron sleeve
Valve arrangement	Overhead valve
Ignition system	Solid-state w/ magneto
Governor system	Mechanical
Starter	12 VDC
Oil capacity including filter	Approx. 1.2 qt/1.1 L
Operating rpm	3,600
Fuel consumption	
Natural Gas	ft ³ /hr (m ³ /hr)
	1/2 Load
	Full Load
Liquid Propane	ft ³ /hr (gal/hr) [L/hr]
	1/2 Load
	Full Load

Note: **Fuel pipe must be sized for full load.** Required fuel pressure to generator fuel inlet at all load ranges - 5–7 in water column (1.24–1.74 kPa) for NG, 10–12 in water column (2.49–2.99 kPa) for LP gas. For BTU content, multiply ft³/hr x 2500 (LP) or ft³/hr x 1000 (NG). For Megajoule content, multiply m³/hr x 93.15 (LP) or m³/hr x 37.26 (NG).

Controls

LED indicators	Simple user interface for ease of operation.
Mode buttons: AUTO	Automatic start on utility failure. 7 day exerciser.
OFF	Stops unit. Power is removed. Control and charger still operate.
MANUAL/TEST (start)	Start with starter control, unit stays on. If utility fails, transfer to load takes place.
Engine start sequence	Cyclic cranking: Engine cranks a maximum of five times at factory set intervals and durations.
Engine warm-up	6 sec (30 sec with Cold Smart Start)
Engine cool-down	1 min
Starter lock-out	Starter cannot re-engage until five seconds after engine has stopped.
2.5 amp Smart Battery Charger	Standard
Automatic voltage regulator	Standard
Automatic low oil level shutdown	Standard
Overspeed/Underspeed shutdown	Standard
High temperature shutdown	Standard
Overcrank protection	Standard
Safety fused	Standard
Wiring error detection	Standard
Battery problem warning	Standard
Charger problem warning	Standard
RPM Sensor Loss shutdown	Standard
Maintenance indicators (indicate break-in and regular maintenance is due)	Standard

Rating definitions - Optional Standby: Applicable for supplying backup power for the duration of the utility power outage with correct maintenance performed. No overload capability is available for this rating. (All ratings in accordance with BS5514, ISO3046, UL2200, and DIN6271).

* Maximum kilovolt amps and current are subject to and limited by such factors as fuel BTU/megajoule content, ambient temperature, altitude, engine power and condition, etc. Maximum power decreases approximately 3.5% for each 1,000 ft (304.8 m) above sea level; and also will decrease approximately 1% for each 10 °F (6 °C) above 60 °F (16 °C).

**Sound levels are taken from the front of the generator. Sound levels taken from other sides of the generator may be higher depending on installation parameters.

PowerPact® System - 7.5 kW

GENERAC®

Transfer Switch

Transfer Switch Features

- Electrically operated, mechanically-held contacts for fast, positive connections.
- Rated for all classes of load, 100% equipment rated, both inductive and resistive.
- 2-pole, 240 VAC contactors.
- 60 millisecond transfer time.
- NEMA 1 (indoor rated) enclosure is standard.
- Multi listed for use with 1" standard, tandem, GFCI and AFCI breakers from Siemens, Murray, Eaton, and Square D for the most flexible and cost effective install.
- Flush mountable.

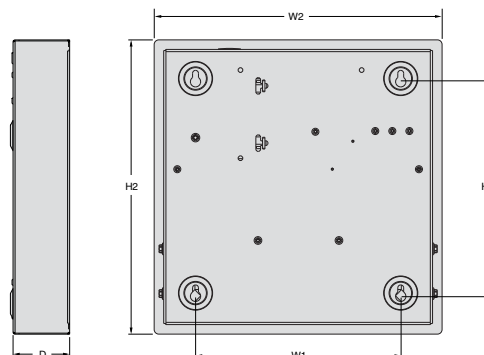
Model	G006998-1
No. of poles	2
Current rating (amps)	50
Voltage	120/240 1Ø
Utility voltage monitor (fixed)*	
—Pick-up	80%
—Dropout	65%
Return to utility*	Approx. 15 sec
Exerciser weekly for 12 minutes*	Standard
ETL or UL Listed	Standard
Total of pre-wired circuits	
No. 15 A 120 V	8
No. 20 A 120 V	5
No. 20 A 240 V	1
No. 30 A 240 V	-
No. 40 A 240 V	1
No. 50 A 240 V	-
Tandem breaker capability	8 spaces
Circuit breaker protected	
Available RMS symmetrical fault current @ 240 V	10,000
Weight (lb / kg)	20 / 9.1
Installation whips included	No

*Function of controller

Dimensions

	Mechanical Dimensions				
	Height		Width		Depth
	H1	H2	W1	W2	
in	11.5	14.8	11	14.4	4
cm	29.2	37.5	28.0	36.6	10.0

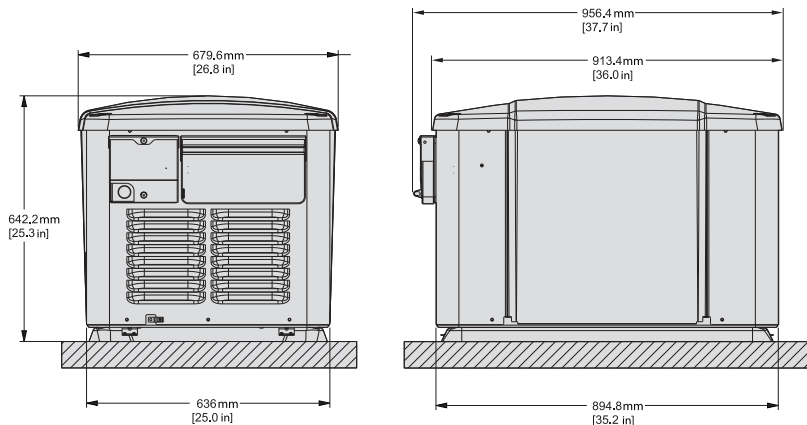
Wire Ranges	
Neutral Lug	Ground Lug
2/0 - #14	2/0 - #14



Model #	Product	Description
G007009-0	LTE LP Tank Fuel Level Monitor	The LTE enabled LP tank fuel level monitor provides constant monitoring of the connected LP fuel tank. Monitoring the LP tank's fuel level is an important step in verifying the generator is ready to run during an unexpected power failure. Status alerts are available through a free application to notify users when the LP tank is in need of a refill.
G006808-1	Cold Weather Kit	The cold weather kit is required for PowerPact units installed in regions where the temperature regularly falls below 32 °F (0 °C).
G006806-0	Scheduled Maintenance Kit	Generac's scheduled maintenance kit provides all items necessary to perform complete routine maintenance on a Generac automatic standby generator (oil not included).
G005703-0	Touch-Up Paint Kit	If the generator enclosure is scratched or damaged, it is important to touch-up the paint to protect from future corrosion. The touch-up paint kit includes the necessary paint to correctly maintain or touch-up a generator enclosure.
G006664-0	Local Wireless Remote	Completely wireless and battery powered, Generac's wireless remote monitor provides users with instant status information without ever leaving the house.
G007000-0 (50 amp) G007006-0 (100 amp)	Smart Management Modules	Smart Management Modules (SMM) are used to optimize the performance of a standby generator. They manage large electrical loads upon startup, and shed them to aid in recovery when overloaded. In many cases, using SMM's can reduce the overall size and cost of the system.

Dimensions & UPCs

Model	UPC
G006998-1	696471074390



LEFT SIDE VIEW

FRONT SIDE VIEW

Dimensions shown are approximate. See installation manual for exact dimensions. DO NOT USE THESE DIMENSIONS FOR INSTALLATION PURPOSES.